
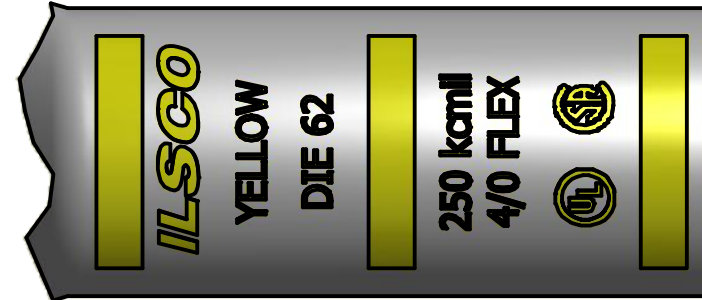
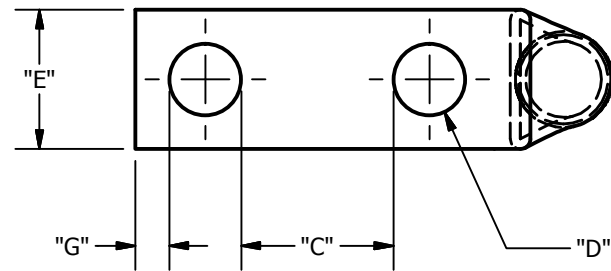
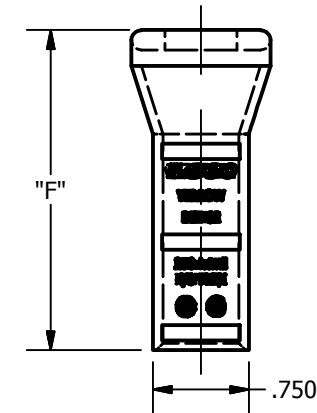
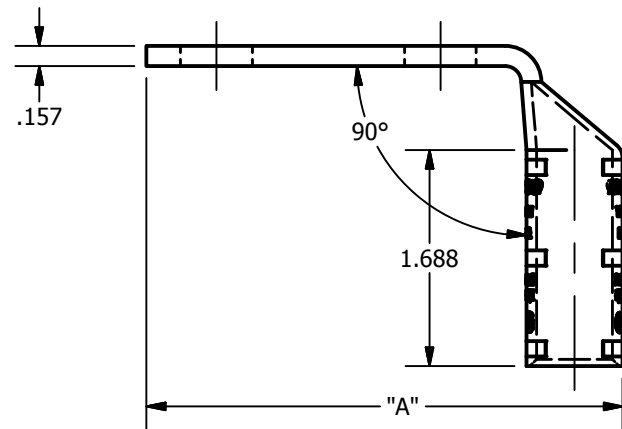


SCREW: NONE	MATERIAL: COPPER	REV: F	 800-776-9775 www.ilSCO.com
CAT. NO.: SEE CHART	PLATING: EL-TIN	DRAWN BY:DW SCALE: NTS	
INFORMATION SHEET:FORM 157	MARKING: SEE CHART	DATE:6/3/2008 SIZE: B	
			DWG NO: Y1103-D-9
			SHEET: 1 OF 1



DETAIL C  
INK MARK TOP & BOTTOM



CATALOG NUMBER	"A"	"C"	"D"	"E"	"F"	"G"	TANG MARKING
CLNB-250-14-12-9	2.136	0.219	0.281	1.088	2.497	0.180	
CLNB-250-14-58-9	2.323	0.344	0.281	1.088	2.497	0.180	
CLNB-250-14-34-9	2.323	0.469	0.281	1.088	2.497	0.180	
CLNB-250-14-1-9	2.573	0.719	0.281	1.088	2.497	0.180	
CLNB-250-516-58-9	2.323	0.282	0.343	1.088	2.497	0.180	
CLNB-250-516-34-9	2.573	0.407	0.343	1.088	2.497	0.180	
CLNB-250-516-78-9	2.573	0.532	0.343	1.088	2.497	0.180	
CLNB-250-516-1-9	2.823	0.657	0.343	1.088	2.497	0.180	
CLNB-250-516-134-9	3.386	1.407	0.343	1.088	2.497	0.180	
CLNB-250-38-34-9	2.573	0.344	0.406	1.088	2.497	0.211	
CLNB-250-38-78-9	2.823	0.469	0.406	1.088	2.497	0.211	
CLNB-250-38-1-9	2.823	0.594	0.406	1.088	2.497	0.211	
CLNB-250-38-116-9	2.823	0.656	0.406	1.088	2.497	0.211	
CLNB-250-38-118-9	3.011	0.719	0.406	1.088	2.497	0.211	
CLNB-250-38-134-9	3.511	1.344	0.406	1.088	2.497	0.211	
CLNB-250-38-2-9	3.886	1.594	0.406	1.088	2.497	0.211	
CLNB-250-12-1-9	3.011	0.438	0.562	1.088	2.497	0.265	
CLNB-250-12-114-9	3.316	0.688	0.562	1.088	2.497	0.265	ILSCO, C-250-12-114, 1/2 X1-1/4, 250kcmil, 4/0 FLEX, Die 62, UL, CSA
CLNB-250-12-112-9	3.511	0.938	0.562	1.088	2.497	0.265	
CLNB-250-12-134-9	3.886	1.188	0.562	1.088	2.497	0.265	ILSCO, CLNB-250-12-134-9, 1/2 X 1-3/4, 250 kcmil, 4/0 FLEX, DIE 62, UL, CSA
CLNB-250-12-178-9	3.886	1.313	0.562	1.088	2.497	0.265	